



ALUMINIUM DAMPER

The air dampers produced by our company are mainly for industrial plants and are suitable for medium and large applications, used for governing and modulating the airflow.

The dampers can have manual or pneumatic control thanks to the application of our pneumatic actuator type PN, that guarantees the maximum efficiency with the minimum friction.

The structure is realized in galvanized sheet, stainless steel or aluminium, that allowed the application of the dampers in many different environments. They can be installed on the wall, through the application of iron frames, or directly fixed to the air ducts.

The wings are made in aluminium with airfoil section with a 200mm pitch and their rotation is on spheres within special support made in delrin material. The sealing is guaranteed by a flexible metallic gasket placed around the two sides.

The movement is in parallel by means of external mechanisms.

The movement of the wings can be opposite or parallel, and it is activated by external mechanism that, directly connected to our regulation system, opens or closes the dampers for modulating the airflow.

The internal minimum height is 420 mm and, with step of the wings of 200 mm, it can arrive to a maximum of 3020mm.

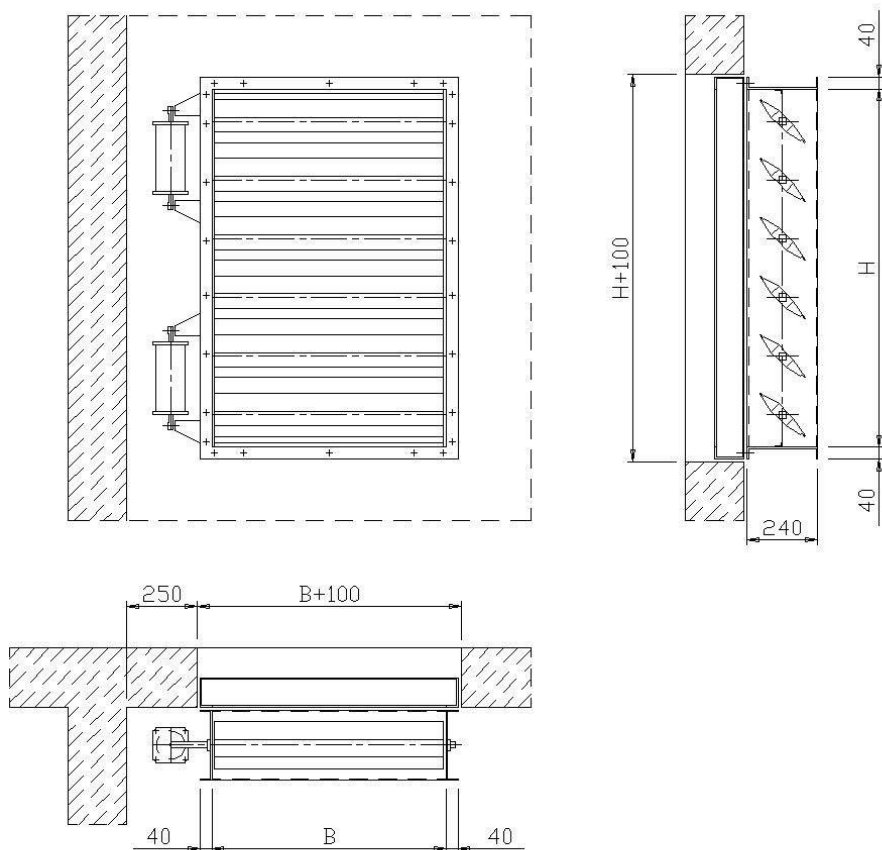
The minimum width is 400 mm with a modularity of 100 mm, that can reach the maximum (with a single frame) of 2400 mm.





TECHNICAL DATA

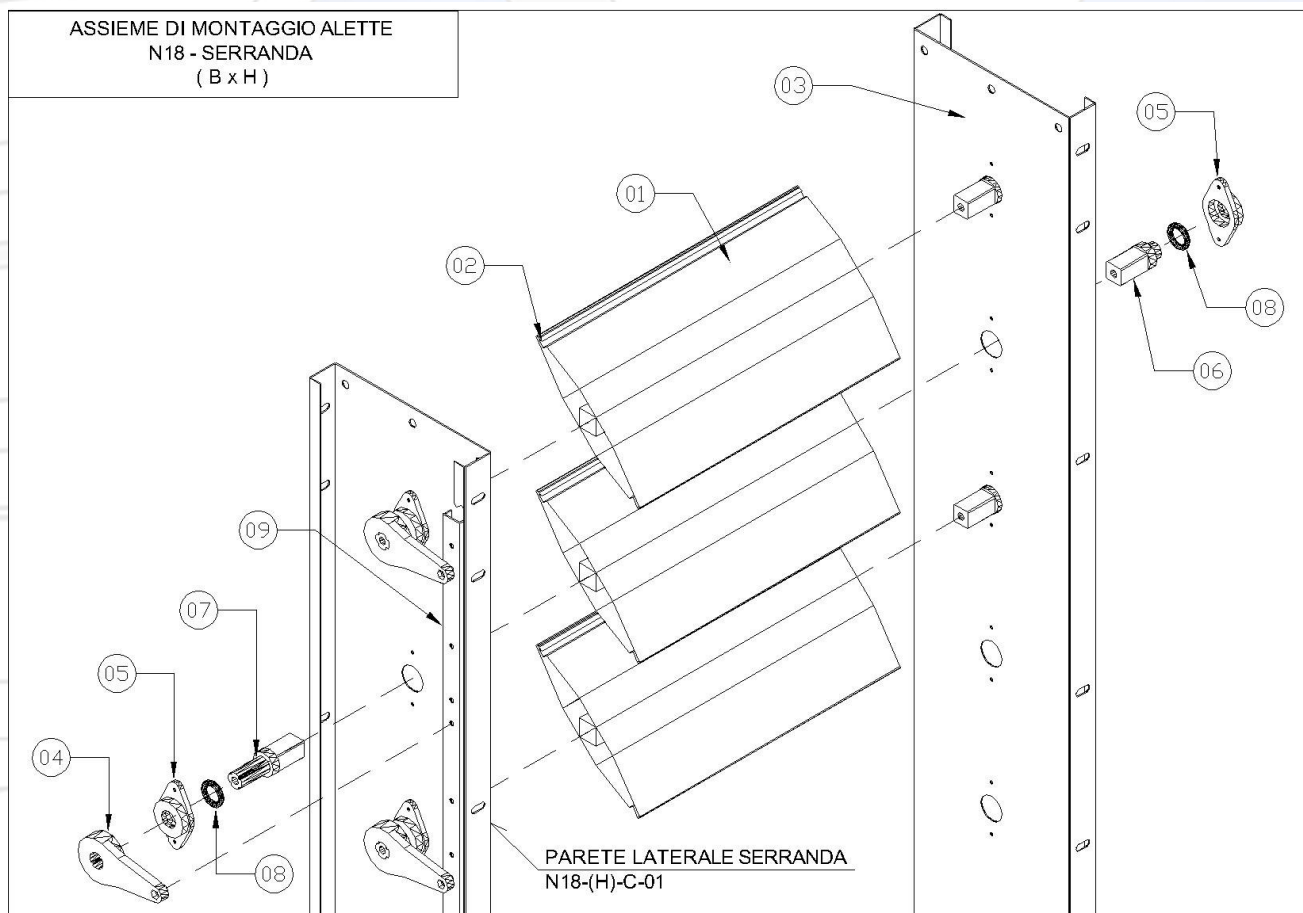
 EMMEBI IMPIANTI TECNOLOGIA - AEROTESSILE	N. DISEGNO	DATA D'AGG.
	NORM. 19	02-12-97
DENOMINAZIONE		SERRANDE P.200



H \ B	1000	1200	1400	1600	1800	2000	2200
1020	mq. 1,02	mq. 1,22	mq. 1,42	mq. 1,63	mq. 1,83	mq. 2,04	mq. 2,24
1220	mq. 1,22	mq. 1,46	mq. 1,70	mq. 1,95	mq. 2,19	mq. 2,44	mq. 2,68
1420	mq. 1,42	mq. 1,70	mq. 1,98	mq. 2,27	mq. 2,55	mq. 2,84	mq. 3,12
1620	mq. 1,62	mq. 1,94	mq. 2,26	mq. 2,59	mq. 2,91	mq. 3,24	mq. 3,56
1820	mq. 1,82	mq. 2,18	mq. 2,54	mq. 2,91	mq. 3,27	mq. 3,64	mq. 4,00
2020	mq. 2,02	mq. 2,42	mq. 2,82	mq. 3,23	mq. 3,63	mq. 4,04	mq. 4,44
2220	mq. 2,22	mq. 2,66	mq. 3,10	mq. 3,55	mq. 3,99	mq. 4,44	mq. 4,88
2420	mq. 2,42	mq. 2,90	mq. 3,38	mq. 3,87	mq. 4,35	mq. 4,84	mq. 5,32
2620	mq. 2,62	mq. 3,14	mq. 3,66	mq. 4,19	mq. 4,71	mq. 5,24	mq. 5,76
2820	mq. 2,82	mq. 3,38	mq. 3,94	mq. 4,51	mq. 5,07	mq. 5,64	mq. 6,20
3020	mq. 3,02	mq. 3,62	mq. 4,22	mq. 4,83	mq. 5,43	mq. 6,04	mq. 6,64

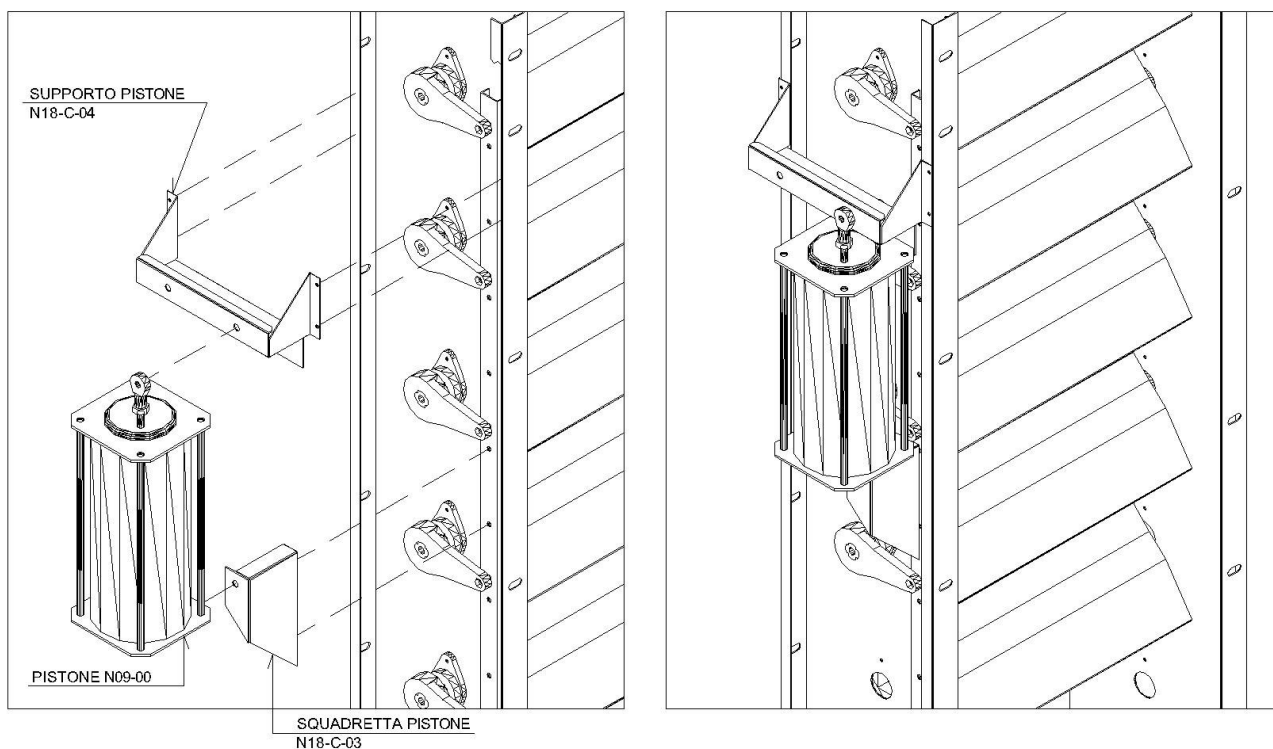


INSTALLATION PROCEDURES

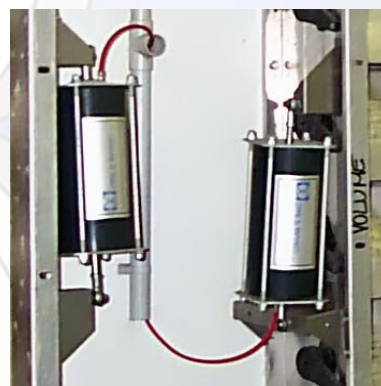




ASSIEME DI MONTAGGIO PISTONI
N18 - SERRANDA
(B x H)



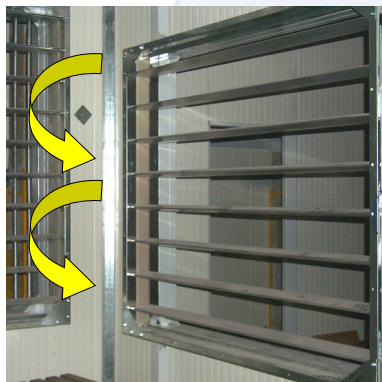
- 1 Connect the pneumatic piston to the compressed air pipe/
Connect the electrical piston to the electrical wire coming
from the regulation panel





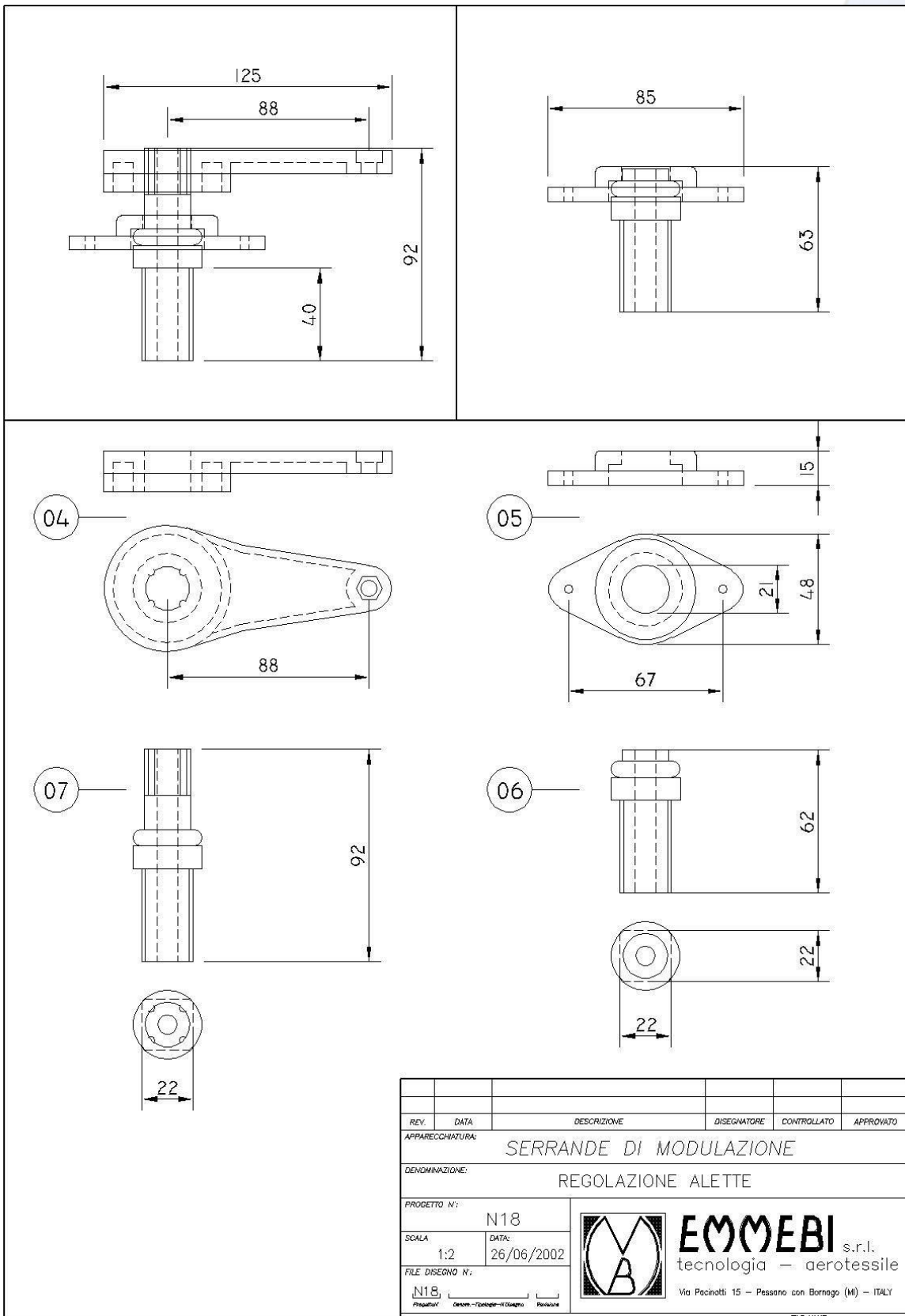
MAINTENANCE PROCEDURES

1 Check that all the blades opens correctly simultaneously



2 Check the status and the right connection of leverisms







SPARE PARTS LIST

pos	ITEM	
1	Aluminium wing	
2	Leverism	
3	Piston	